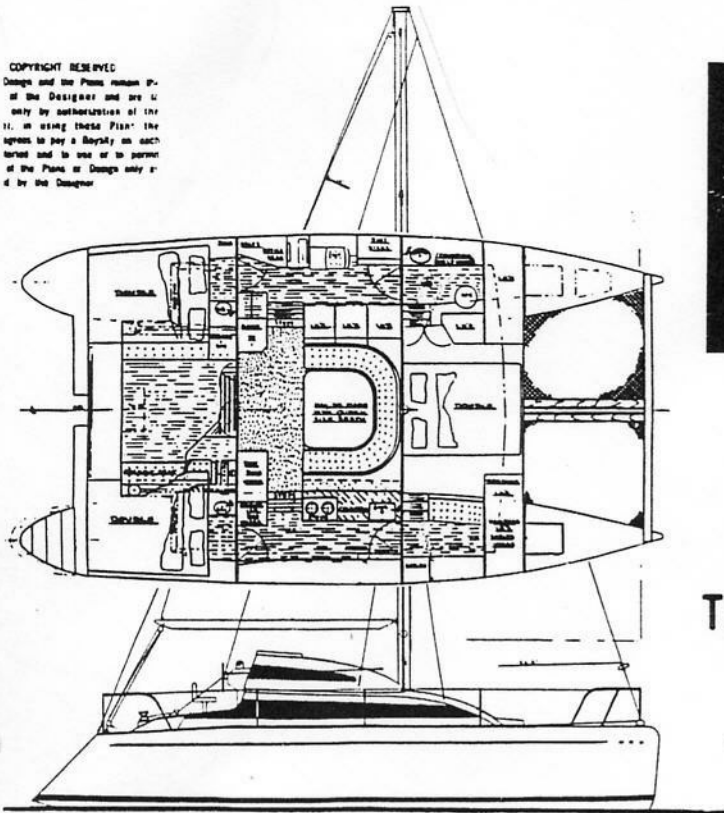


CRUISING CATAMARAN BY ED HORSTMAN

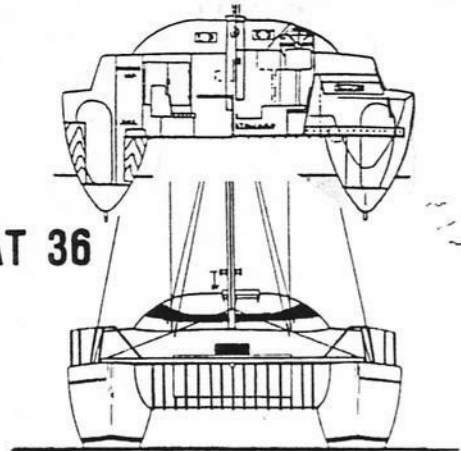
CONSTRUCTION EITHER MOLDED PLYWOOD OR FOAM FIBERGLASS
HULL SHAPE BLENDED CONSTANT RADIUS SECTIONS FOR EASY CONSTRUCTION.

COPYRIGHT RESERVED

Designs and the Plans remain the property of the Designer and are to be used only by authorization of the Designer. In using these Plans, the user agrees to pay a Royalty on each vessel and to use or to permit the Plans or Designs only as directed by the Designer.



TRI-STAR CAT 36



LOA 36'1". LWL 34'9". BEAM 19'6". DRAFT MAIN HULL 27". DRAFT DAGGER BOARD DOWN 4'6". DRAFT RUDDER 32" OR 27". SAIL AREA 643 FT.SQ. DISPLACEMENT 7400 LB. USFULL LOAD 3200#. MAIN HULL WIDTH 60".

CAT 36 designed as a spacious, fast enjoyable sailing catamaran with accommodations found only on much large yachts. The spacious interior accommodations have full 6'2" headroom in the bridge deck and up to 7' in the hulls. CAT 36 with her three queen size cabins, large open galley and spacious bridge deck lounge is ideal for weekend enjoyment or cruising the world. CAT 36 has the load carrying ability and interior storage room to be a great cruiser. CAT 36 spacious interior is designed around sleek long water line length hull shapes for fast sailing and comfortable passages. CAT 36 has a large usable cockpit that is layed out to make sailing easy and lounging enjoyable. The cockpit may be protected at anchor with a boom tent and a dodger at sea. Decks are well layed out and their spaciousness is enhanced with bow webbing that can be walked on for sail handling, anchoring or the webbing is a great place for sunbathing and fish watching.

Building CAT 36 is fast and easy. The hull shapes are designed for maximum overall performance and are constant radius shapes for functionality and ease of construction. The first time builder will appreciate Tri-Star's plans that are drawn with the first time builder in mind. CAT 36 plans, like all Tri-Star plans, come with full size hull patterns that also show full size hull sections. Plans also come with the 272 page Trimaran/Catamaran construction book by the designer that covers building from start to launching.

CAT 36 is a modern design by Ed Horstman and like all Tri-Star designs is backed by what many say are the most comprehensive and easiest to follow plans. Designs and plans that together add up to making your building enjoyable and then, your sailing your CAT 36 even more enjoyable.